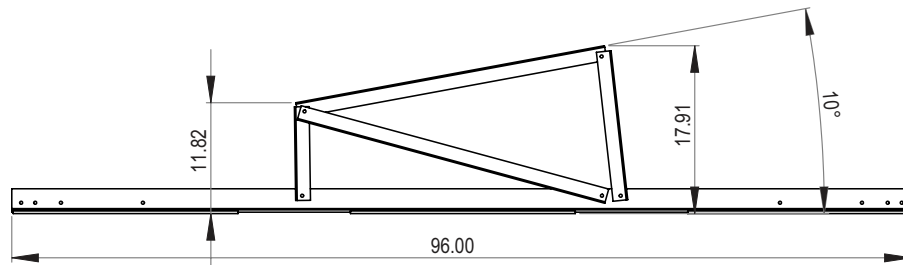
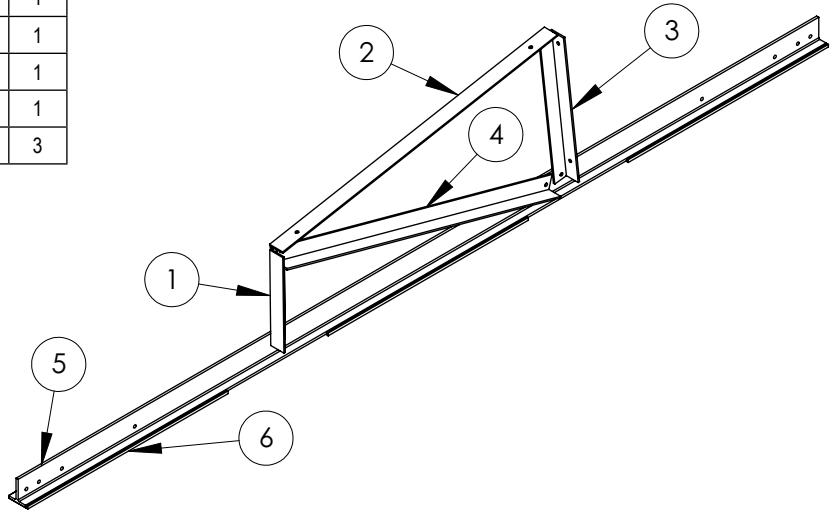




BALLASTED SOLUTION: 10° BALLAST FRAME

PAGE 1 OF 1

ITEM NO.	PART NO.	DESCRIPTION	QTY
1	74002705-10A	FRONT (5°-19°)	1
2	74002705-10B	TOP (5°-19°)	1
3	74002705-10C	BACK (10°)	1
4	74002705-10D	BRACE (5°-19°)	1
5	74000100-08	8' T-PROFILE	1
6	75009500-T	RUBBER T-PROFILE	3



TECHNICAL SPECIFICATIONS

Item Number	75000610
Use	Base assembly frame for ballasted system
Material	Aluminum (types vary)
Color / Finish	Mill Finish
Companion Parts	<ul style="list-style-type: none"> Any T.R.A.-MAGE Mounting Rail (40x40, 40x60, 22x65) Socket Head Cap Screw M8 x VAR Cross Connector

CONNECTING TO ENERGY

TRA-MAGE, INC.
1657 SOUTH 580 EAST, AMERICAN FORK, UT, 84003
PH: (800) 606-8980 | sun.tra-mage.com