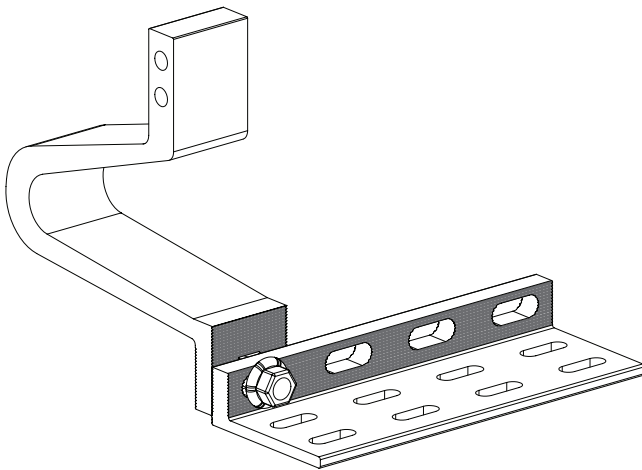
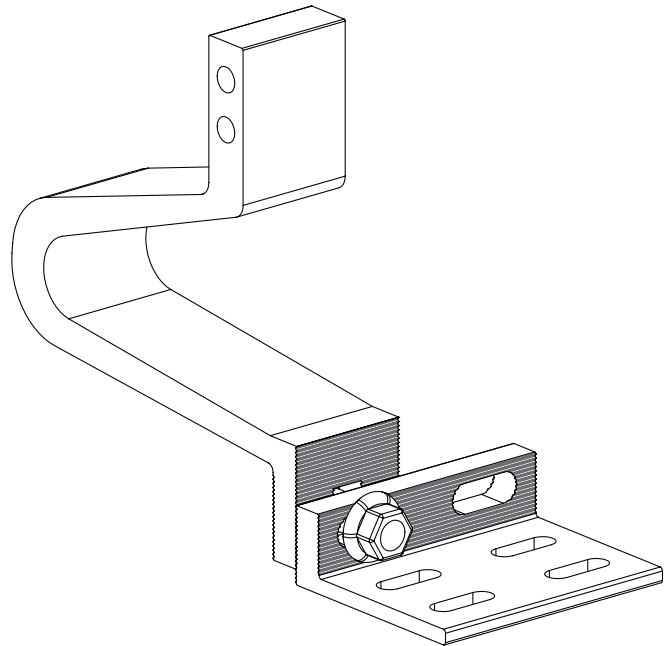


ROOF TILE SOLAR MOUNT: SIDE

PAGE 1 OF 2



TILE MOUNT WITH WIDE BASE
For Mid and High Profile Tile



TILE MOUNT WITH NARROW BASE
For Flat or Low Profile Tile

TECHNICAL SPECIFICATIONS

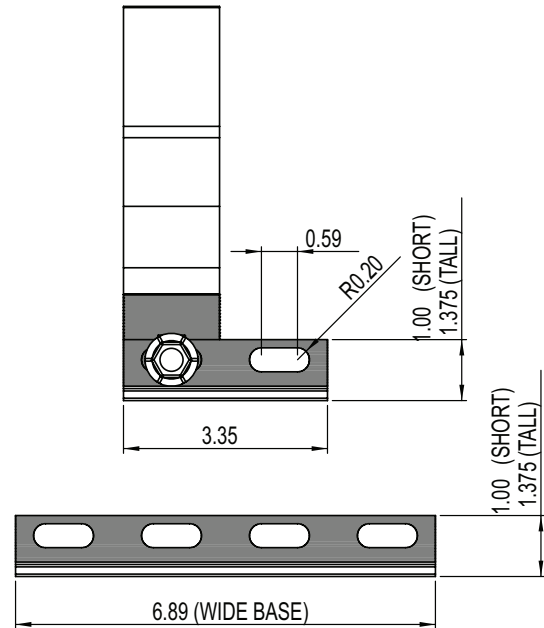
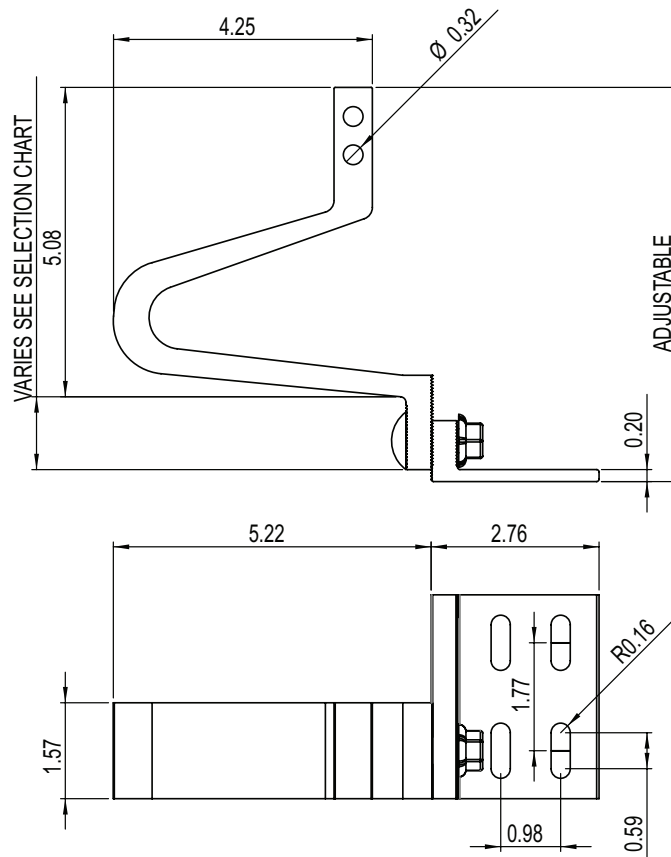
Material	6082 T66 Aluminium
Finishes	Mill finish
Allowable Load (lbs)	<ul style="list-style-type: none"> • Uplift: 220 • Downforce: 220 • Shear: 120
Companion Parts	<ul style="list-style-type: none"> • Simpson SDS 1/4" Fastener; L = 3.5", 4.5", 6" (SDS25312-SS, SDS25412, SDS25600) • Socket Head Cap Screw M8 x VAR (15100018, 19, 20, 21, 22, 23, 38, 58) • Clamping Plate (72201701) • Clamping Plate Adjustable (74022601) • TRA-MAGE FlexFlash (water & weatherproofing)
Compatible Mounting Rails	All TRA-MAGE SunFIXINGS rails (22x65, 40x40, 40x60) as well as other major brands
Warranty	10 Years (See warranty documentation for conditions)

CONNECTING TO ENERGY

TRA-MAGE, INC.
1657 SOUTH 580 EAST, AMERICAN FORK, UT, 84003
PH: (800) 606-8980 | sun.tra-mage.com

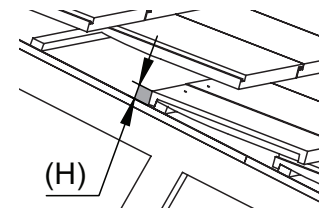
ROOF TILE SOLAR MOUNT: SIDE

PAGE 2 OF 2



TILE MOUNT SELECTION CHART

Height (H)	TILE TYPE	MOUNT TYPE	PART #	DESCRIPTION
1" TO 1 1/4"	Flat or Mid tile	A	77000552	Tile Mount Side, Narrow base, for Flat or Mid tile
	S-Tile	A	77000553	Tile Mount Side, Wide base, for S-Tile
1 3/8" TO 2"	Flat or Mid tile	B	77000556	Tile Mount Side, Narrow base, for Flat or Mid tile
	S-Tile	B	77000557	Tile Mount Side, Wide base, for S-Tile
2 1/8" TO 2 7/8"	Flat or Mid tile	C	77000560	Tile Mount Side, Narrow base, for Flat or Mid tile
	S-Tile	C	77000561	Tile Mount Side, Wide base, for S-Tile
3" TO 3 1/2"	Flat or Mid tile	D	77000564	Tile Mount Side, Narrow base, for Flat or Mid tile
	S-Tile	D	77000565	Tile Mount Side, Wide base, for S-Tile



EXPLANATION

Dimension (H) is determined by measuring from the lowest point of the tile surface at the top (up slope) of the tile to the roof deck surface.

For S-Tile or Mid Profile tile, the measurement is always taken from the lowest point in the pan of the tile.

CONNECTING TO ENERGY