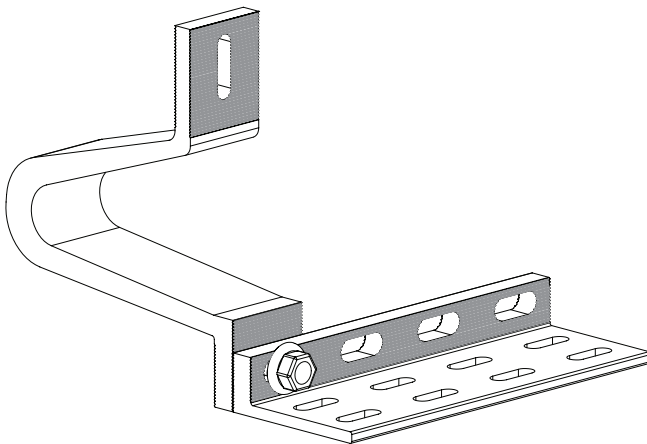
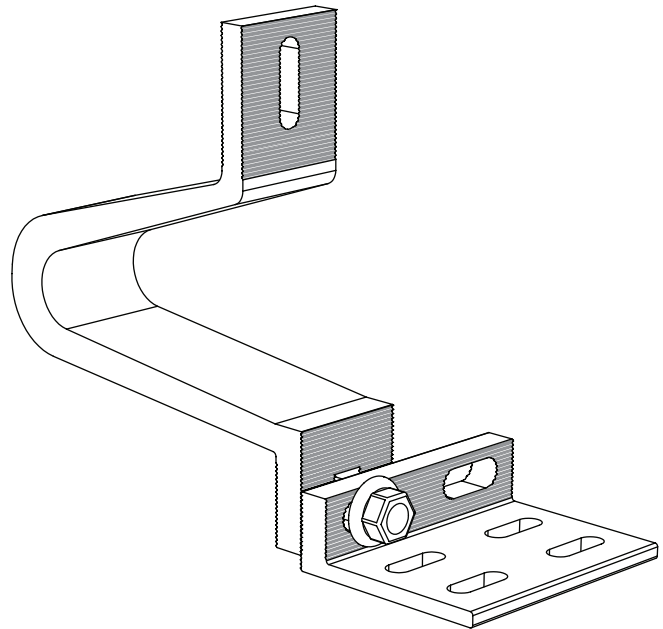


ROOF TILE SOLAR MOUNT: FRONT

PAGE 1 OF 2



**TILE MOUNT WITH WIDE BASE**  
For Mid and High Profile Tile



**TILE MOUNT WITH NARROW BASE**  
For Flat or Low Profile Tile

**TECHNICAL SPECIFICATIONS**

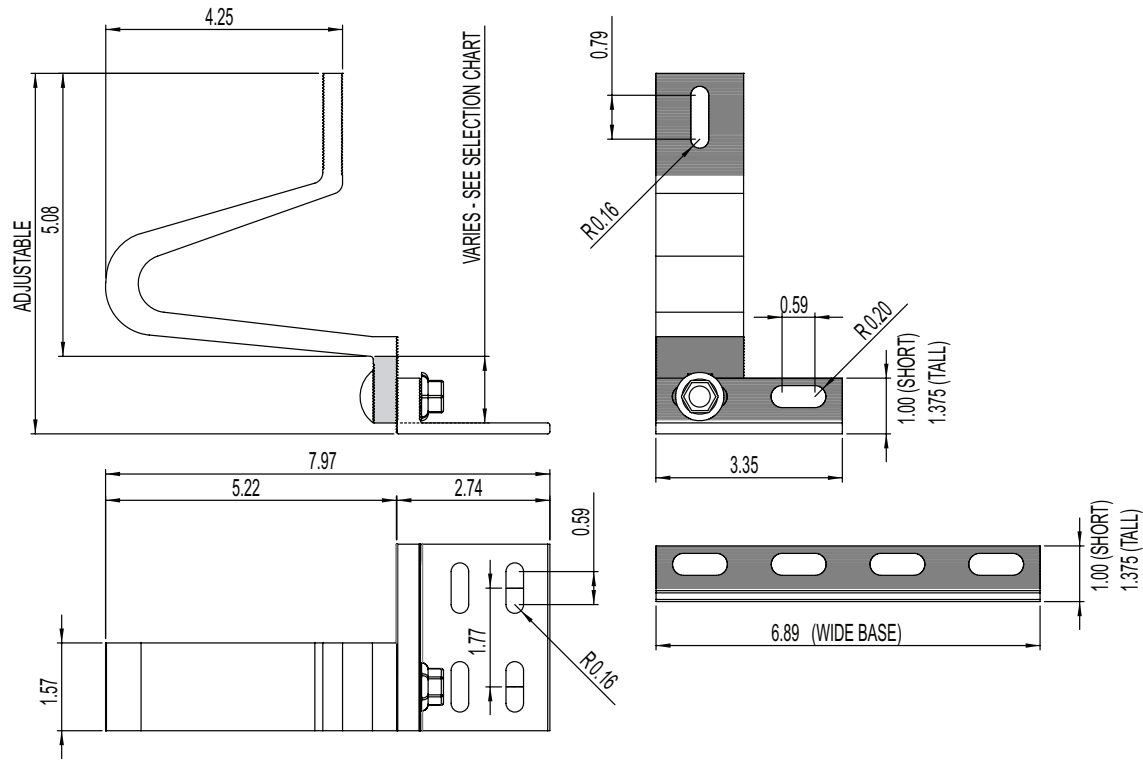
Material	6082 T66 Aluminium
Finishes	Mill finish
Allowable Load (lbs)	<ul style="list-style-type: none"> <li>• Uplift: 220</li> <li>• Downforce: 220</li> <li>• Shear: 120</li> </ul>
Companion Parts	<ul style="list-style-type: none"> <li>• Simpson SDS 1/4" Fastener; L = 3.5", 4.5", 6" (SDS25312-SS, SDS25412, SDS25600)</li> <li>• Socket Head Cap Screw M8 x VAR (15100018, 19, 20, 21, 22, 23, 38, 58)</li> <li>• Clamping Plate (72201701)</li> <li>• Clamping Plate Adjustable (74022601)</li> <li>• TRA-MAGE FlexFlash (water &amp; weatherproofing)</li> </ul>
Compatible Mounting Rails	All TRA-MAGE SunFIXINGS rails (22x65, 40x40, 40x60) as well as other major brands
Warranty	10 Years (See warranty documentation for conditions)

CONNECTING TO ENERGY

**TRA-MAGE, INC.**  
1657 SOUTH 580 EAST, AMERICAN FORK, UT, 84003  
PH: (800) 606-8980 | sun.tra-mage.com

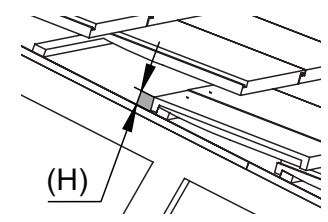
ROOF TILE SOLAR MOUNT: FRONT

PAGE 2 OF 2



TILE MOUNT SELECTION CHART

H (Height)	TILE TYPE	MOUNT TYPE	PART #	DESCRIPTION
1" TO 1 1/4"	Flat or Mid tile	A	77000550	Tile Mount Front, Narrow base, for Flat or Mid tile
	S-Tile	A	77000551	Tile Mount Front, Wide base, for S-Tile
1 3/8" TO 2"	Flat or Mid tile	B	77000554	Tile Mount Front, Narrow base, for Flat or Mid tile
	S-Tile	B	77000555	Tile Mount Front, Wide base, for S-Tile
2 1/8" TO 2 7/8"	Flat or Mid tile	C	77000558	Tile Mount Front, Narrow base, for Flat or Mid tile
	S-Tile	C	77000559	Tile Mount Front, Wide base, for S-Tile
3" TO 3 1/2"	Flat or Mid tile	D	77000562	Tile Mount Front, Narrow base, for Flat or Mid tile
	S-Tile	D	77000563	Tile Mount Front, Wide base, for S-Tile



**EXPLANATION**  
 Dimension (H) is determined by measuring from the lowest point of the tile surface at the top (up slope) of the tile to the roof deck surface.  
**For S-Tile or Mid Profile tile, the measurement is always taken from the lowest point in the pan of the tile.**

CONNECTING TO ENERGY