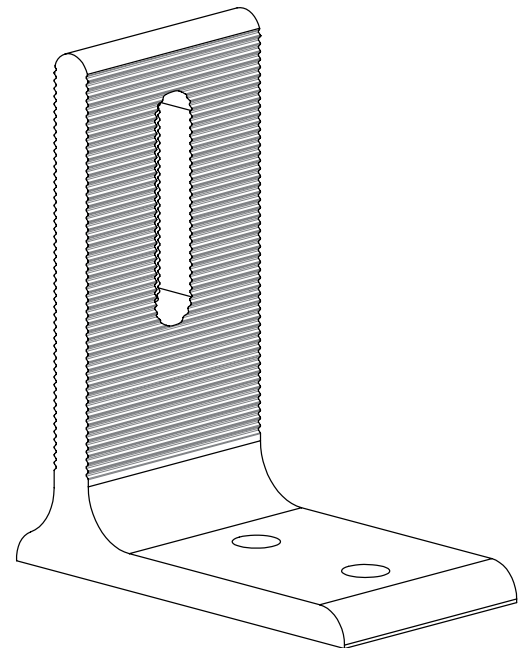
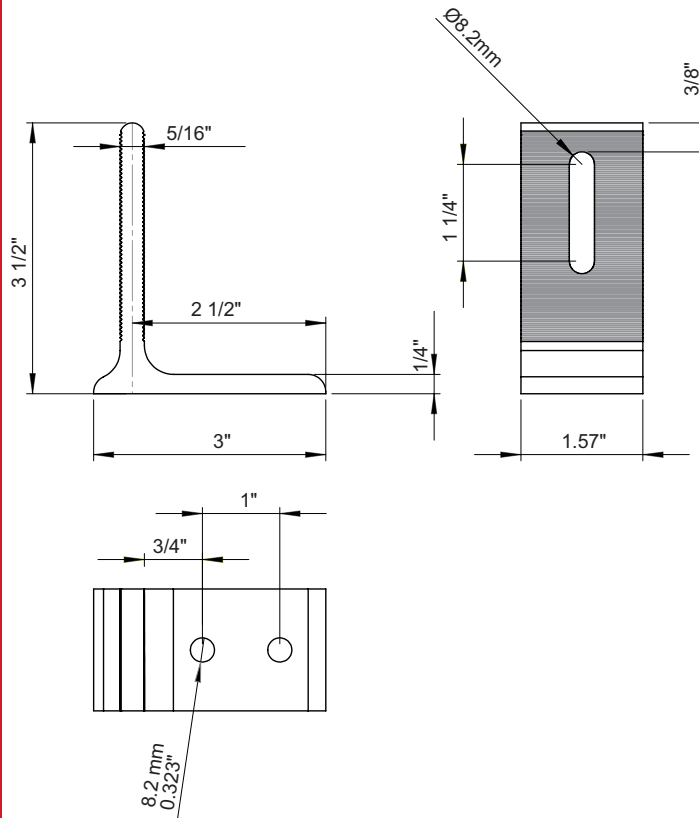




SOLAR MOUNT: L BASE EX-T



\*Dimensions shown are in inches unless otherwise noted

**TECHNICAL SPECIFICATIONS**

Material	6063 T66 Aluminium
Finishes	Mill finish
Allowable Load (lbs)	<ul style="list-style-type: none"> <li>• Uplift: 400</li> <li>• Downforce: 400</li> <li>• Shear: 180</li> </ul>
Companion Parts	<ul style="list-style-type: none"> <li>• Simpson SDS 1/4" Fastener; L = 3.5", 4.5", 6" (SDS25312-SS, SDS25412, SDS25600)</li> <li>• Standard Roof Mount Flashing (77000501)</li> <li>• Socket Head Cap Screw M8 x VAR (15100018, 19, 20, 21, 22, 23, 38, 58)</li> <li>• Clamping Plate (72201701)</li> <li>• Clamping Plate Adjustable (74022601)</li> </ul>
Compatible Mounting Rails	All TRA-MAGE SunFIXINGS rails (22x65, 40x40, 40x60) as well as other major brands
Warranty	10 Years (See warranty documentation for conditions)

CONNECTING TO ENERGY

**TRA-MAGE, INC.**  
1657 SOUTH 580 EAST, AMERICAN FORK, UT, 84003  
PH: (800) 606-8980 | sun.tra-mage.com