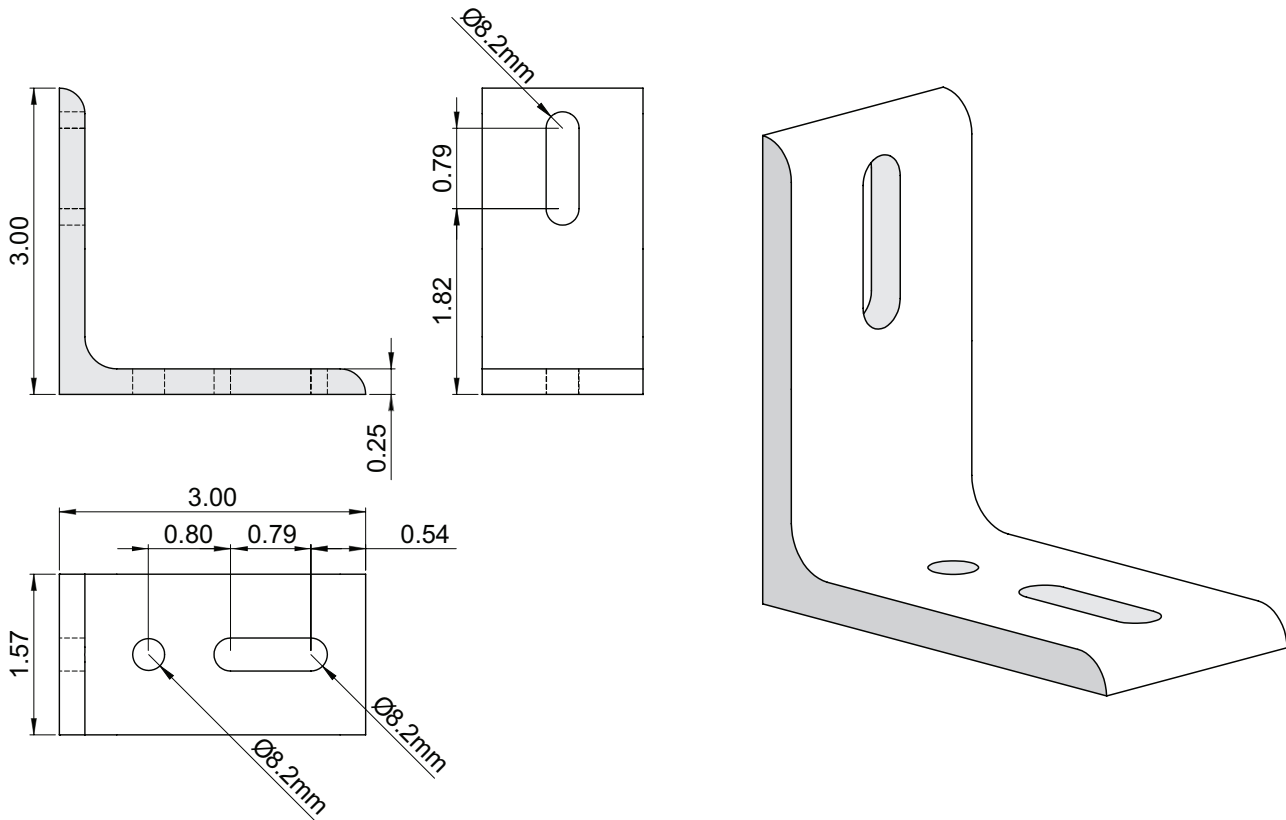


SOLAR MOUNT: L BASE

PAGE 1 OF 1



*Dimensions shown are in inches unless otherwise noted

TECHNICAL SPECIFICATIONS

Material	6061 T6 Aluminum
Finishes	Mill finish
Allowable Load (lbs)	<ul style="list-style-type: none"> • Uplift: 400 • Downforce: 400 • Shear: 180
Companion Parts	<ul style="list-style-type: none"> • Simpson SDS 1/4" Fastener; L = 3.5", 4.5", 6" (SDS25312-SS, SDS25412, SDS25600) • Standard Roof Mount Flashing (77000501) • Socket Head Cap Screw M8 x VAR (15100018, 19, 20, 21, 22, 23, 38, 58) • Clamping Plate (72201701) • Clamping Plate Adjustable (74022601)
Compatible Mounting Rails	All TRA-MAGE SunFIXINGS rails (22x65, 40x40, 40x60) as well as other major brands
Warranty	10 Years (See warranty documentation for conditions)

CONNECTING TO ENERGY

TRA-MAGE, INC.
1657 SOUTH 580 EAST, AMERICAN FORK, UT, 84003
PH: (800) 606-8980 | sun.tra-mage.com