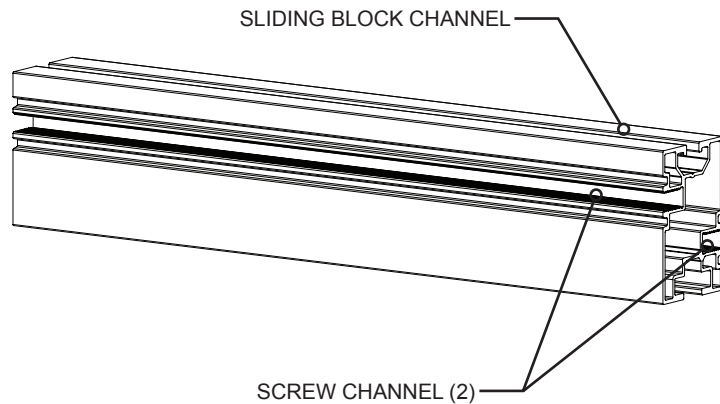
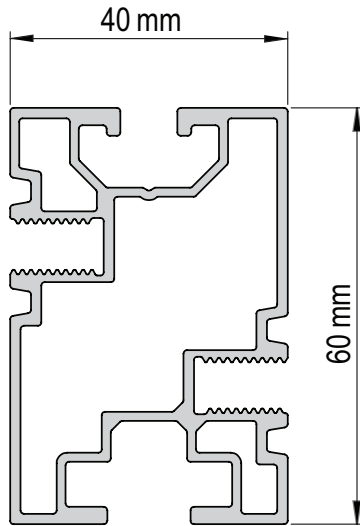


SOLAR MOUNTING SYSTEMS

MOUNTING RAIL 40X60



TECHNICAL SPECIFICATIONS

Material	6063 T66 Aluminum	
Finishes	<ul style="list-style-type: none"> • Mill finish • Black Anodized (upon request) 	
Available Lengths	<ul style="list-style-type: none"> • 4ft through 20ft in 2ft increments* • Standard length: 10ft 	*Cutting Charges Apply
Companion Parts	<ul style="list-style-type: none"> • Clamping Plate (72201701) • Socket Head Cap Screw M8 x VAR (15100018, 19, 20, 21, 22, 23, 38, 58) • Sliding Block (15100025) • P.P. End cap for 40x60 (18000306) • Rail connector fixed (74011003) & flexible (74016101) for 40X60 • WEEB Lug with washer (WEEBLug-8.0, WEEB SMC) • All Mid and Corner clamps (including glass panel clamps) • All TRA-MAGE roof mount types 	
Compatible PV Modules	All major brands including MAGE® Solar and more	

CONNECTING TO ENERGY

TRA-MAGE, INC.
1657 SOUTH 580 EAST, AMERICAN FORK, UT, 84003
PH: (800) 606-8980 | www.tra-mage.com