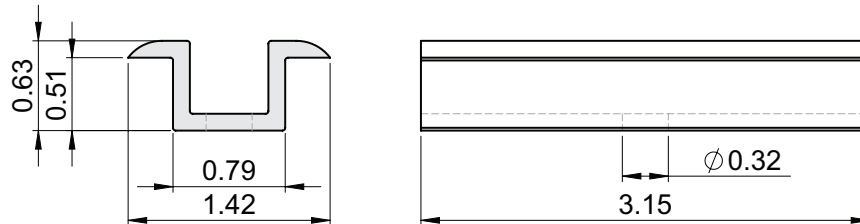
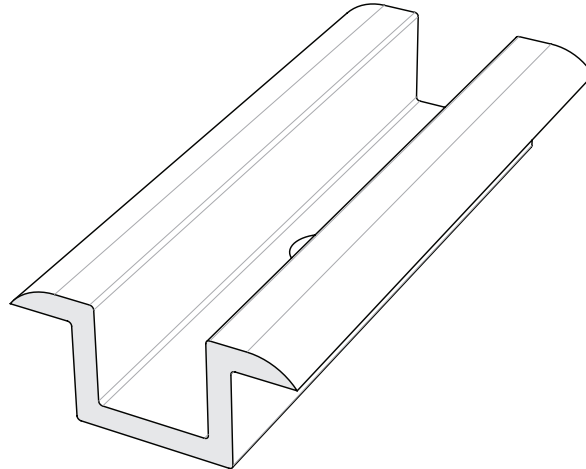


MIDDLE CLAMP, MG-MK 01

PAGE 1 OF 1



TECHNICAL SPECIFICATIONS

Article Number	72202801
Material	6063 T66 Aluminum
Finishes	Mill finish
Companion Parts	<ul style="list-style-type: none"> • All TRA-MAGE SunFIXINGS mounting rails (22x65, 40x40, 40x60) • Socket Head Cap Screw DIN 912 A2 M8 x Variable length (dependent on module frame thickness) • Sliding Block (15100025) • WEEB-SMC Electrical equipment bond washer
Compatible PV Modules	All major brands including MAGE® Solar and more
Warranty	10 Years (See warranty documentation for conditions)

NOTE: Dimensions shown are in inches unless otherwise noted

CONNECTING TO ENERGY

TRA-MAGE, INC.
1657 SOUTH 580 EAST, AMERICAN FORK, UT, 84003
PH: (800) 606-8980 | sun.tra-mage.com