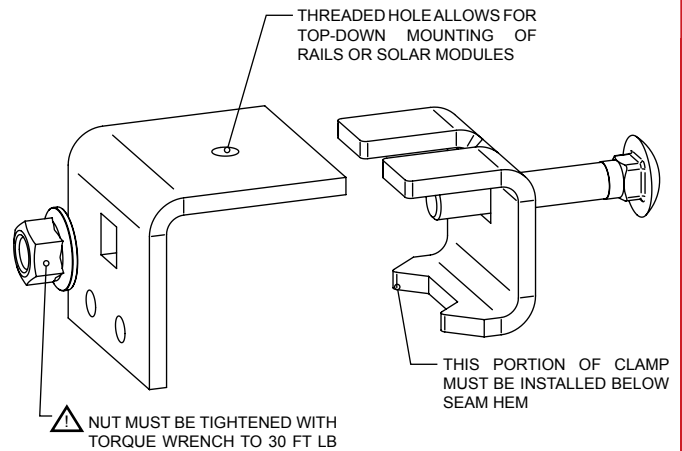
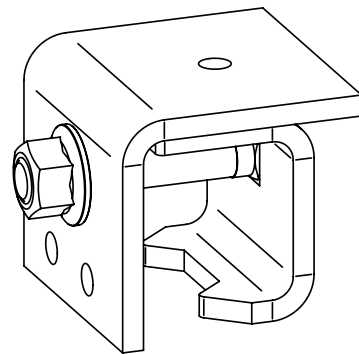
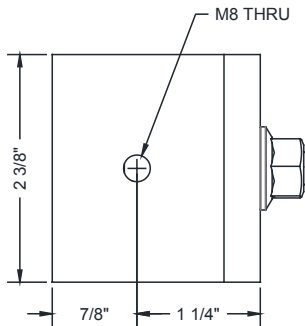
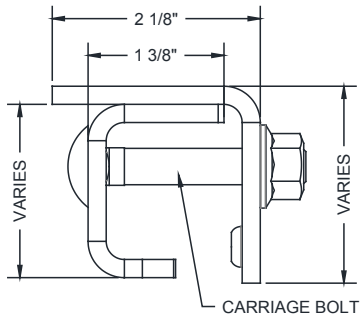
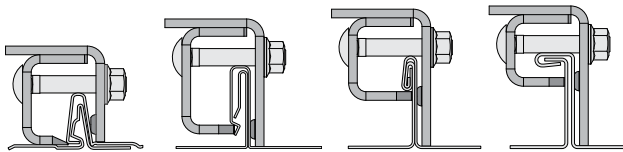




EZ SOLAR MOUNT CLAMP ON



RIB TYPES



*Height varies based on standing seam rib type and height. Clamps are manufactured to specific project conditions and seam profiles.

TECHNICAL SPECIFICATIONS

Part Number	77000524-ST
Material	3/16" Steel (ASTM A709 GR 36)
Allowable Load (lbs)	Uplift: 300-500 (Dependent on the panel clip spacing)
Finishes	<ul style="list-style-type: none"> • Mill finish steel • Zinc plated steel (ASTM B633, Type II, SC3) • Powder coating available (RAL Standard Colors)
Companion Parts	<ul style="list-style-type: none"> • Cross Connector KP01, 53mm, 8.2mm (74011001) • Socket Head Cap Screw M8 x VAR (15100018, 19, 20, 21, 22, 23, 38, 58)
Compatible Mounting Rails	All TRA-MAGE rails (22x65, 40x40, 40x60) as well as other major brands
Warranty	10 Years (See warranty documentation for conditions)

NOTE: Dimensions shown are in inches unless otherwise noted

CONNECTING TO ENERGY