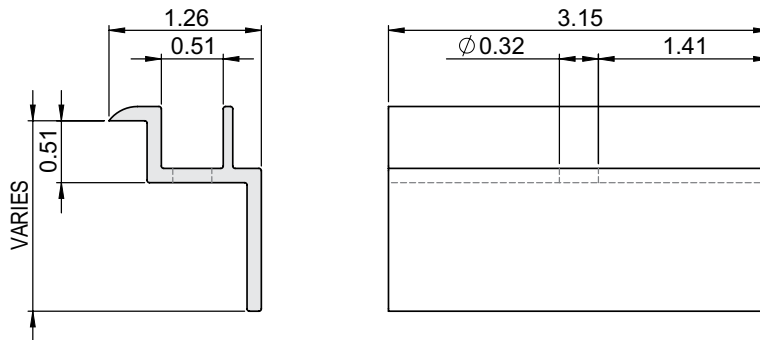
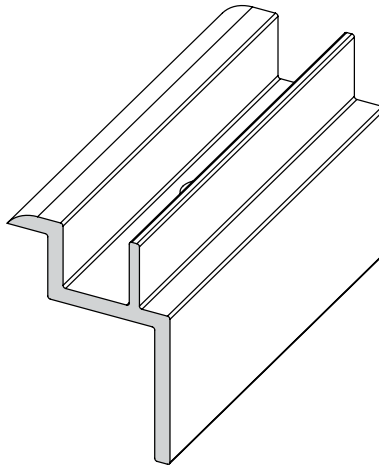




END CLAMP 31MM - 50MM

PAGE 1 OF 1



TECHNICAL SPECIFICATIONS

Part Number(s)	72202901 (50mm), 72204101 (46mm), 72216301 (40mm), 72204201 (39mm), 72204303 (35mm), 72241501 (31mm)
Material	6063 T66 Aluminum
Finishes	Mill finish
Companion Parts	<ul style="list-style-type: none"> All TRA-MAGE SunFIXINGS mounting rails (22x65, 40x40, 40x60) Socket Head Cap Screw DIN 912 A2 M8 x Variable length (dependent on module frame thickness) Sliding Block (15100025)
Compatible PV Modules	All major brands including MAGE® Solar and more
Warranty	10 Years (See warranty documentation for conditions)

NOTE: Dimensions shown are in inches unless otherwise noted

CONNECTING TO ENERGY

TRA-MAGE, INC.
1657 SOUTH 580 EAST, AMERICAN FORK, UT, 84003
PH: (800) 606-8980 | sun.tra-mage.com