

ELEVATED SOLUTION
SOLAR MOUNT CLAMP-ON
WESTERN MARYLAND DISTRIBUTION



When it comes right down to it, a solar system is only as good as its mounting structure. That's why when you need the highest quality roof mounting accessories and fastening systems, you turn to T.R.A.-MAGE.

Built to last. Built to be reliable. Each and every component in our SOLAR MOUNTING LINE creates a perfect foundation for your solar solution.



“Their durability was unsurpassed. In fact they made their competitors’ mounting systems feel downright flimsy. We will be using T.R.A.-MAGE mounting systems exclusively for all our future projects.”

Betsy Delozier
Owner and Master Electrician
Big D Electric

EXPERIENCE YOU CAN TRUST

T.R.A.-MAGE has been in the roofing industry for 35 years, so we know a thing or two about roofs. Our mounting solutions create a perfect foundation for your solar installation.

ENGINEERED FOR EASY USE. MANUFACTURED TO LAST.

T.R.A.-MAGE Standing Seam Solar Mount Clamp-On is designed to clamp to all standing seam roof rib types without penetrating the roof surfaces, keeping all roofing material warranties in full effect.



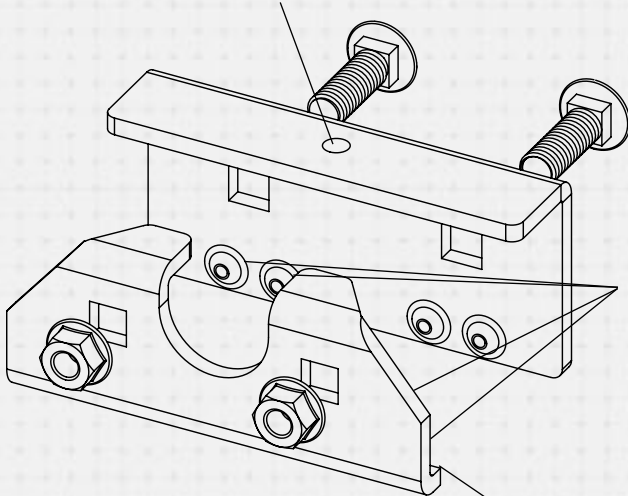
“The quality of the materials and the design of the T.R.A.-MAGE system is great. The most helpful part was their professionalism and their ability to go out of their way to address our concerns and their efficiency in resolving the issues.”

Gustavo Mendoza
CEO, Smartworld Energy

STANDING SEAM METAL ROOFS ARE NOT CREATED EQUAL.

There are many standing seam profiles which means it is impossible to have a one-size-fits-all approach. T.R.A.-MAGE fits many standing seam metal roof profiles using a safe, reliable and custom design. Their exclusive attachment system, using under-the-hem clamping and bolting, provides superior strength while maintaining your manufacture's warranty. Its attractive appearance and proven performance make T.R.A.-MAGE's Standing Seam Solar Clamp-On ideal for both commercial and residential projects.

THREADED HOLE ALLOWS FOR TOP-DOWN
MOUNTING OF RAILS OR SOLAR MODULES



6 POINTS OF PRESSURE WHICH
MEANS LESS TWISTING AND PULLING



FITS UNDER THE HEM PROVIDING
SUPERIOR STRENGTH

CUSTOM MADE TO FIT ALL THESE PROFILES AND MORE

