

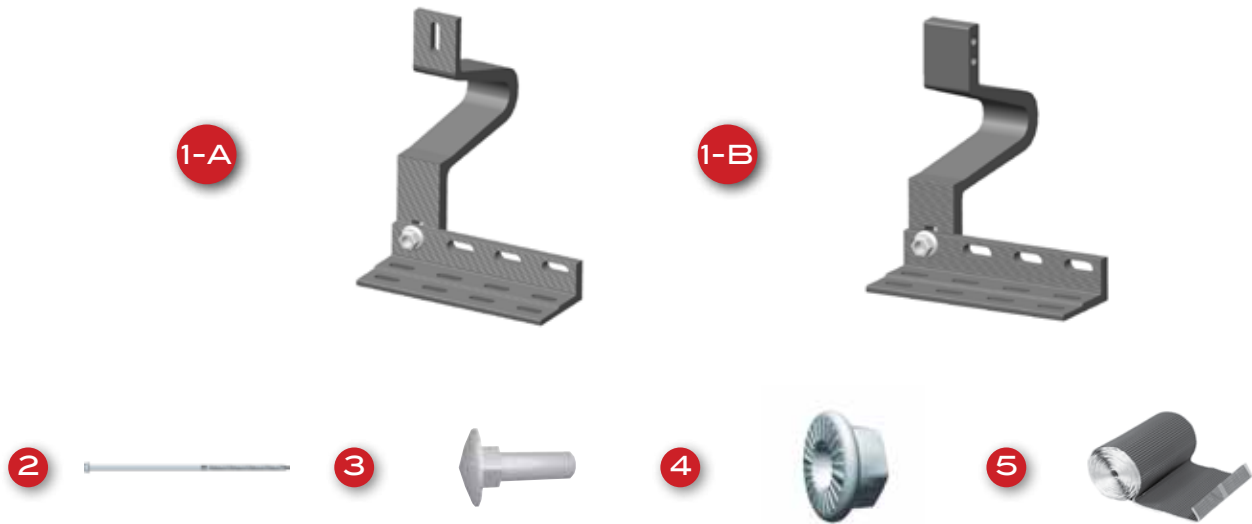


## T.R.A.-MAGE TILE MOUNT INSTALLATION MANUAL

Front and side mounting for most mounting rails.

- Corrosion-resistant materials
- Quick and easy to mount
- Structural calculations of the system in compliance with ASCE 7-05

## TILE MOUNT COMPONENTS



1-A	Tile Mount - Front (landscape rails)
1-B	Tile Mount- Side (portrait rails)
2	Simpson SDS 1/4" Fastener (3.5", 4.5", 6")
3	Carriage Bolt
4	Flange Lock Nut
5	FlexFlash

### RECOMMENDED TOOLS:

Power screwdriver with 6mm bit  
Allen key - 6mm  
Wrench  
Hammer



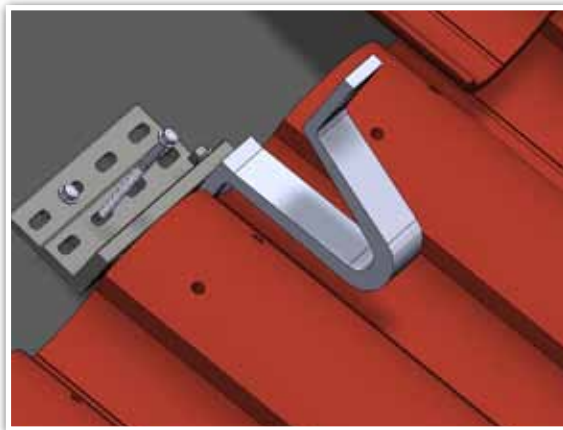
## INSTALLING THE TILE MOUNT



### MOUNT ADJUSTMENT:

Depending on the type of roof tile and the Tile Mount (1A, 1B) that has been selected some adjustment of the mount may be necessary. The Tile Mount (1A, 1B) has been designed for both lateral and height adjustment to allow for use with most roof tiles, regardless of manufacturer make and model.

Adjust top section (the hook) of the Tile Mount (1A, 1B) so there is a gap of 1/4" minimum between the roof tile surface and the Tile Mount. If the mount is used with an S-Tile roof tile, the hook section of the mount must be positioned over the lowest point in the pan of the tile.



### FASTENING:

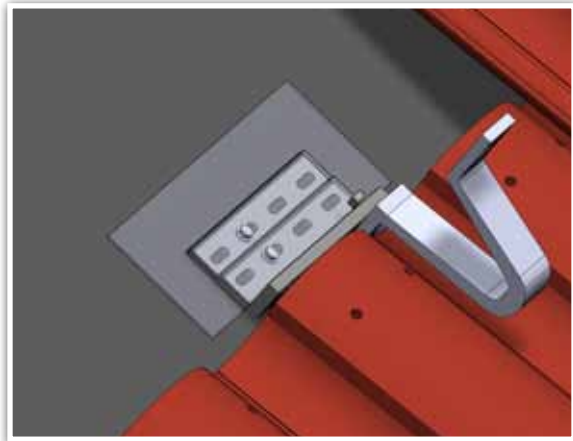
Each Tile Mount (1A, 1B) must be attached using two Simpson Strong Drive (2) type screws and must be fastened directly into the roof framing below the roof deck (i.e. truss, purlin, beam, etc.). The use of the SDS screw (2) allows installation without pre-drilling.



- 1 Fasteners are to be placed in two of the slotted holes directly above the structural member of the roof. The base may be adjusted from side to side to secure placement for the hook in the pan of the tile.
- 2 Once mount has been securely attached, check all bolts and connections to ensure they are tight so as to prevent any slipping or loosening.

**NOTE:** When securing the mount, align the upper portion of the mount (hook) so that it is flush with the top of the tile and so it falls between the major ribs of the roof tile if there are any present.

## INSTALLING THE TILE MOUNT



### FLASHING:

Flashing the base of the Tile Mount (1A,1B). There are several options available.

#### Option 1

Use T.R.A.-MAGE FlexFlash (5) flexible flashing to cover the base, extending the flashing 2" from the side and top edges of the base. Then use a EPDM roller to secure the adhesive to the underlayment.

#### Option 2

Trowel the mastic or butyl large enough to cover the entire surface area of the base beneath the base before installation.

#### Option 3

Waterproof membrane may be applied over the mount base and extended up-slope, lacing into the roofing felt or underlayment above.



### TILE MODIFICATIONS:

Once the Tile Mount has been fully installed, the tile from the course above may be put in place. In order for the tile to sit properly on the course below, the weather check (bottom lug of the tile) must be removed.