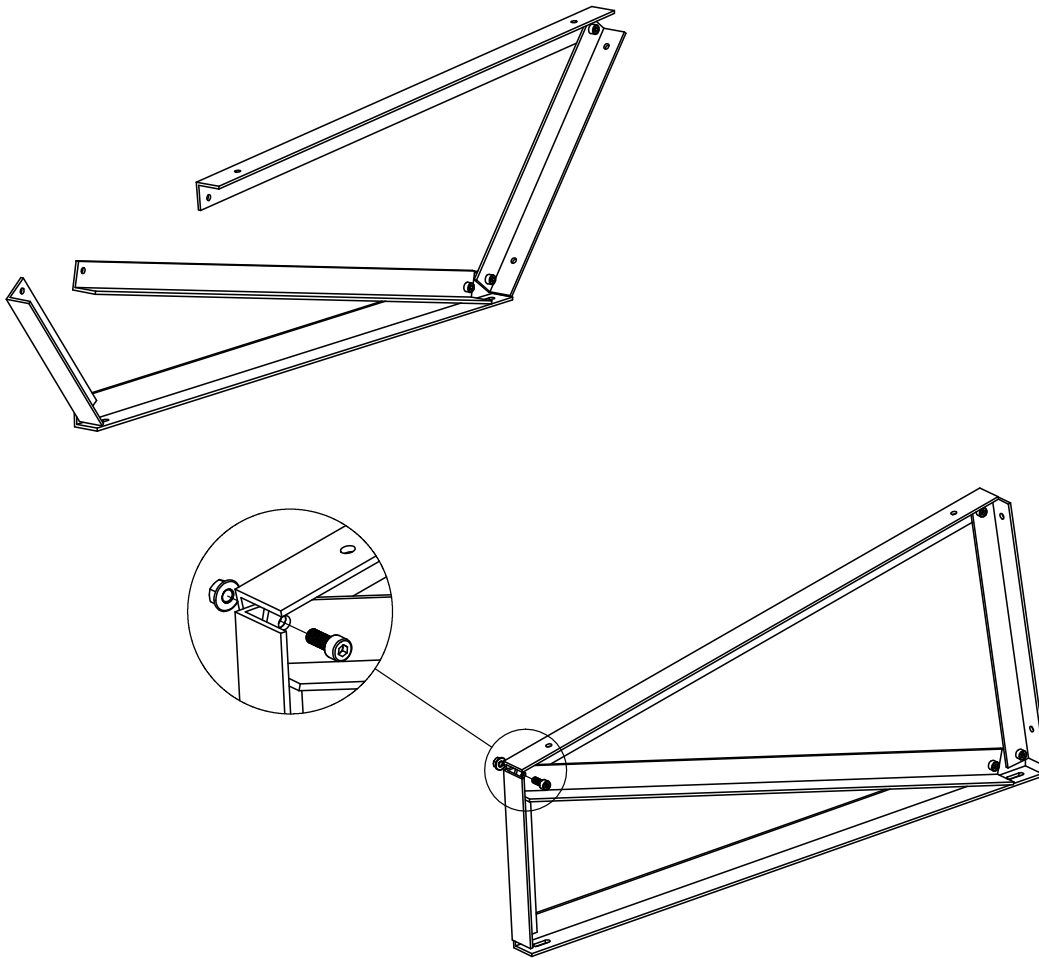
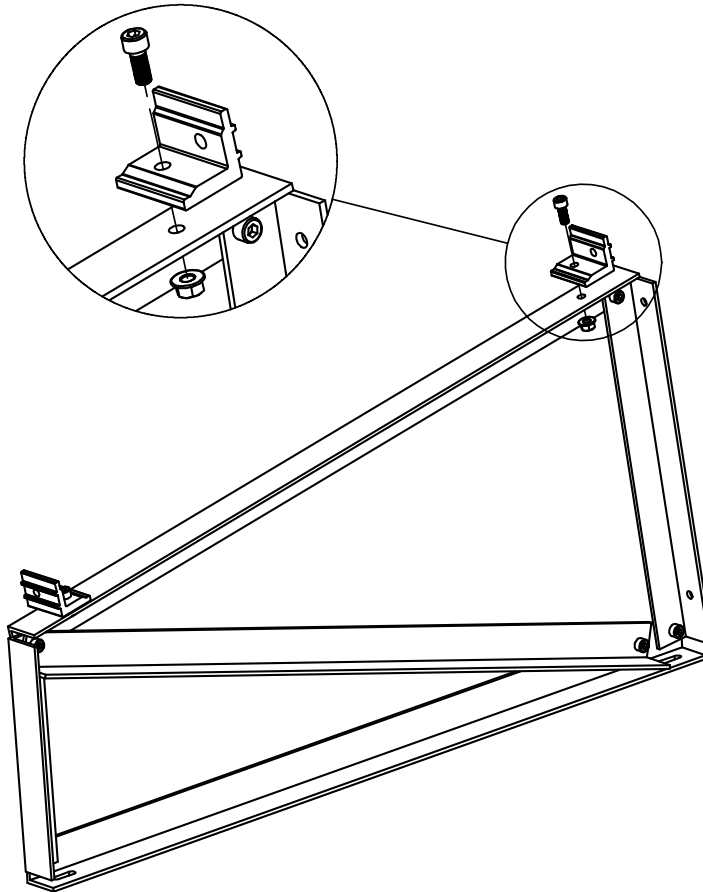


ELEVATED SOLUTION INSTALLATION MANUAL



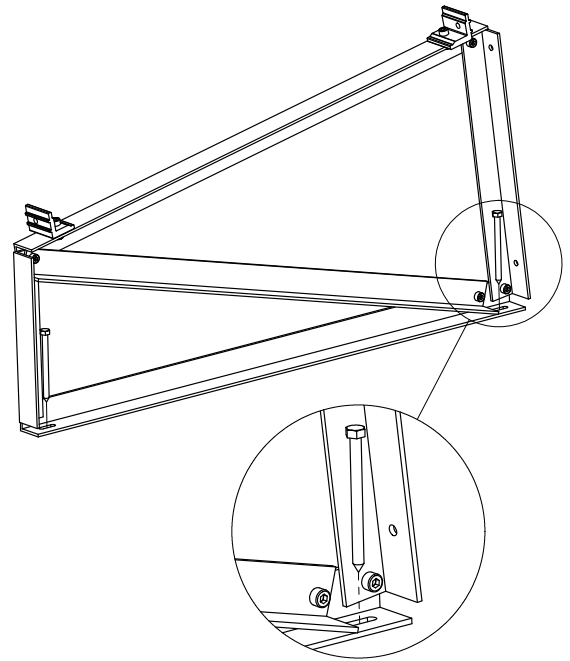
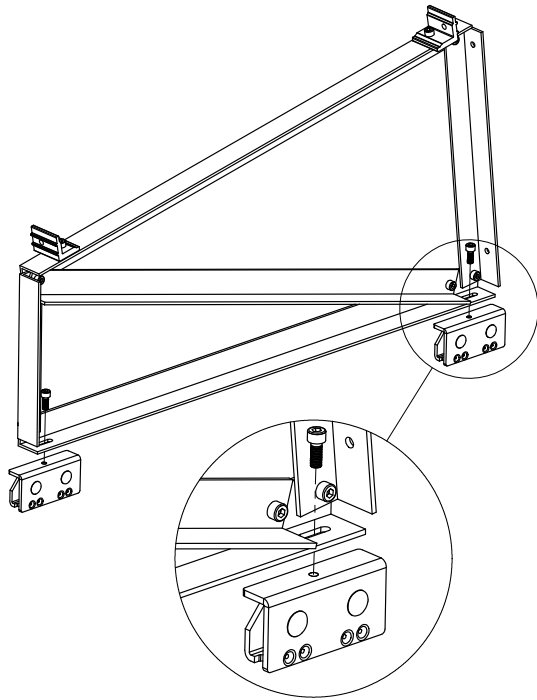
STEP 1: FRAME ASSEMBLY

1. Assemble elevated frame using (1) M8X20 bolt and (1) M8 flange lock nut
2. Torque all frame bolts to 15 ft-lbs.
3. Continue assembling all frames in the same manner



STEP 2: CROSS CONNECTORS

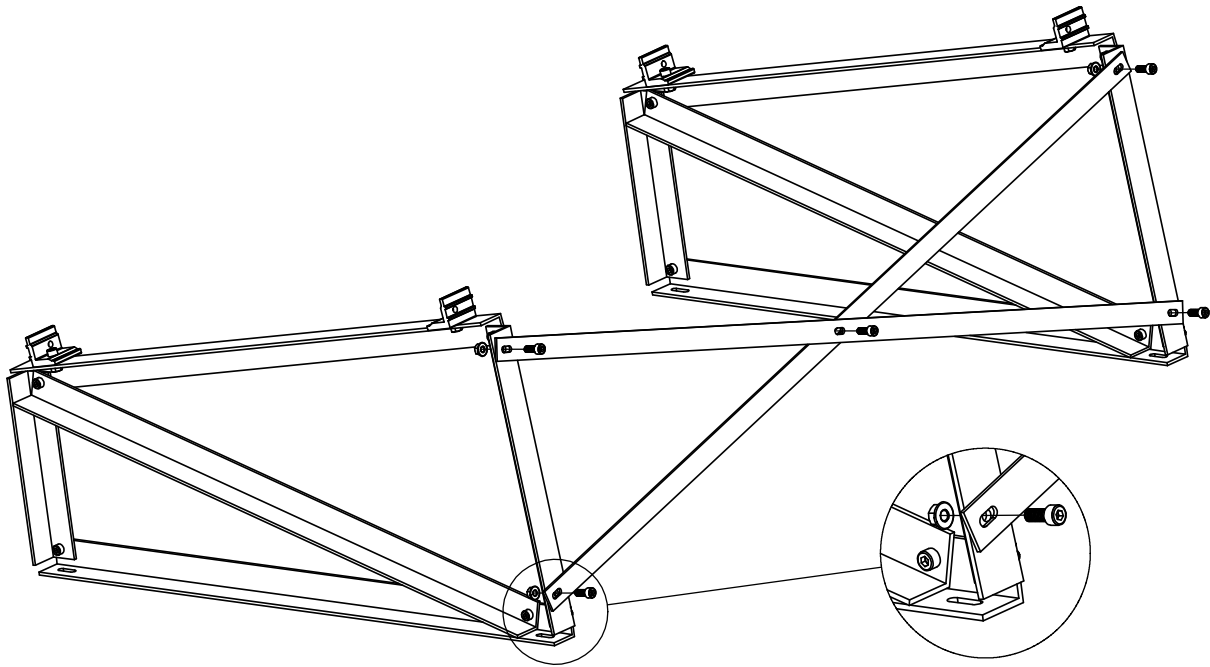
1. Attach cross connectors to elevated frame using (1)M8x20 bolt and (1)M8 flange lock nut.
2. Torque all bolts to 15 ft-lbs.



STEP 3

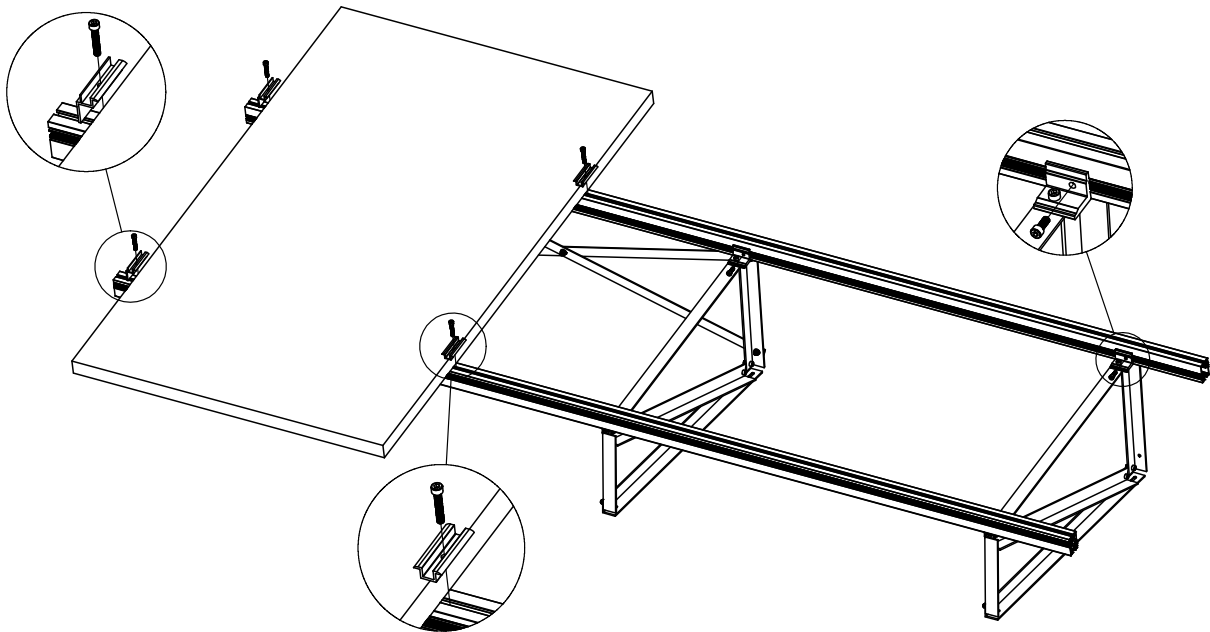
STEP 3: ROOF ATTACHMENT

1. Attach frames to Standing seam clamp-ons or lag directly into the roof structure.



STEP 4: CROSS BRACING

1. Attach back bracing to frames using M8x20 bolts and M8 flange lock nuts.
2. Torque all connections to 15 ft-lbs.



STEP 5: SOLAR MODULE ASSEMBLY

1. Attach rails to cross connectors using M8x20 bolts.
2. Attach solar modules to rails using M8 bolts, Sliding Blocks, Mid Clamps and End Clamps.
3. Torque all connections to 15 ft-lbs.