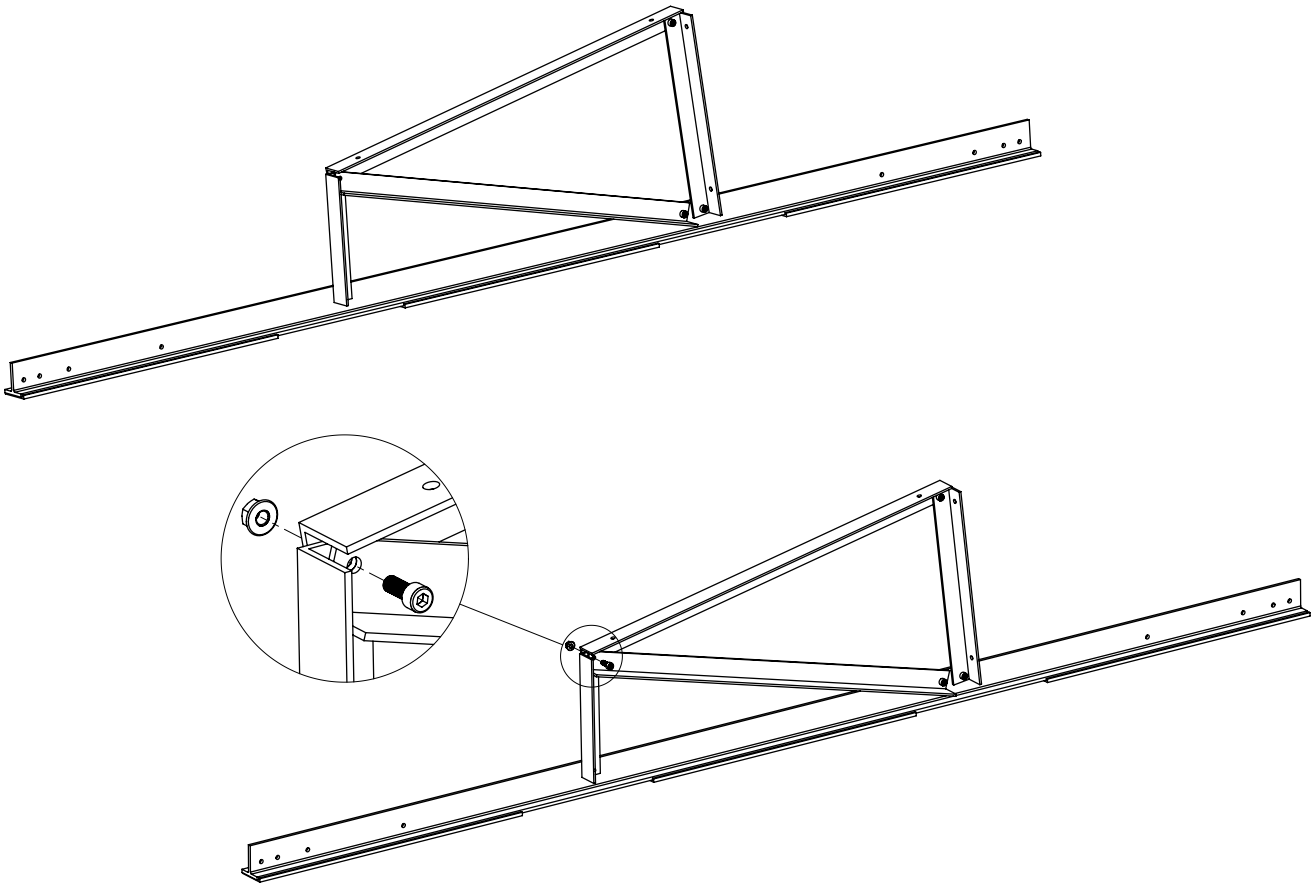
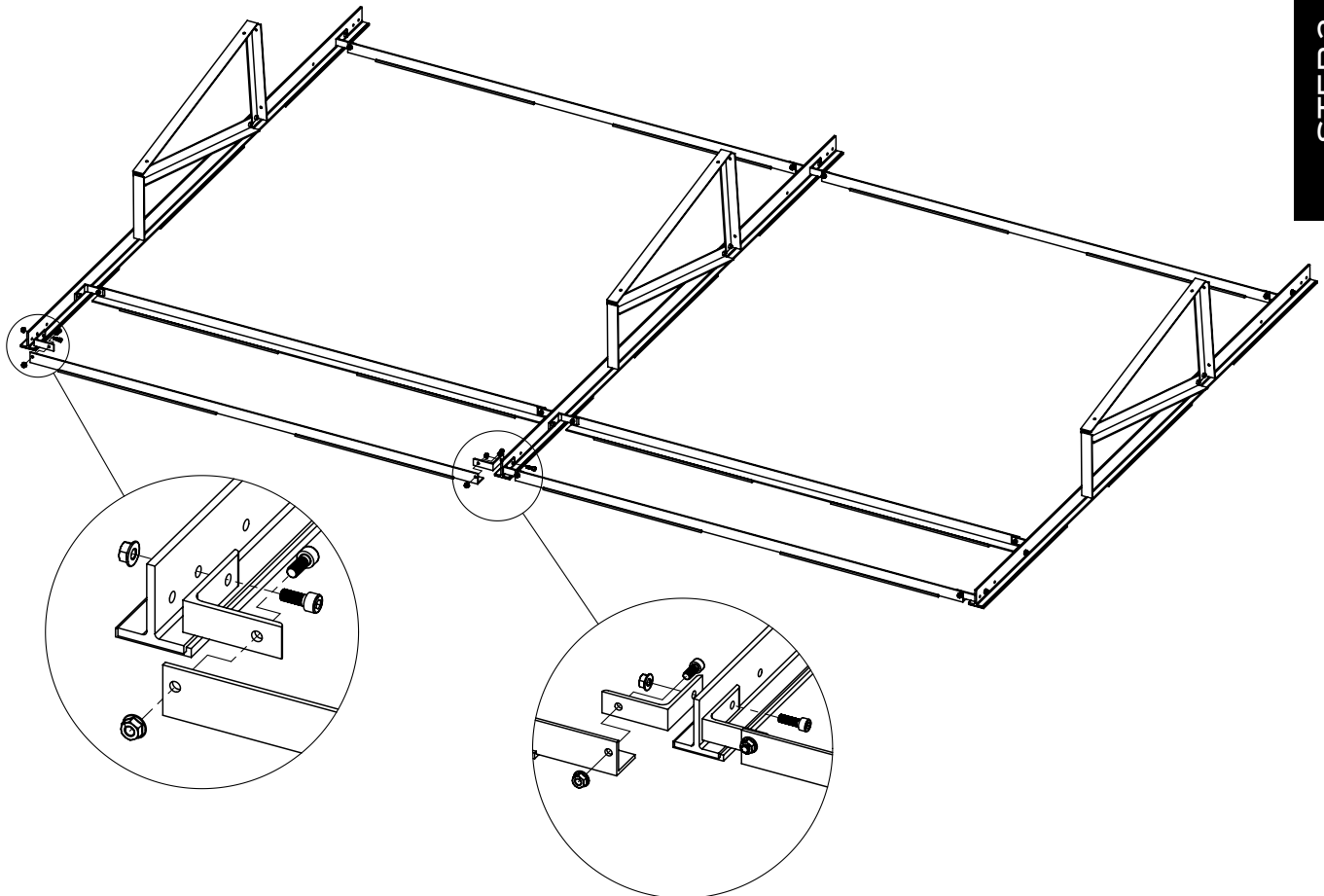


# **BALLASTED SYSTEM INSTALLATION MANUAL**



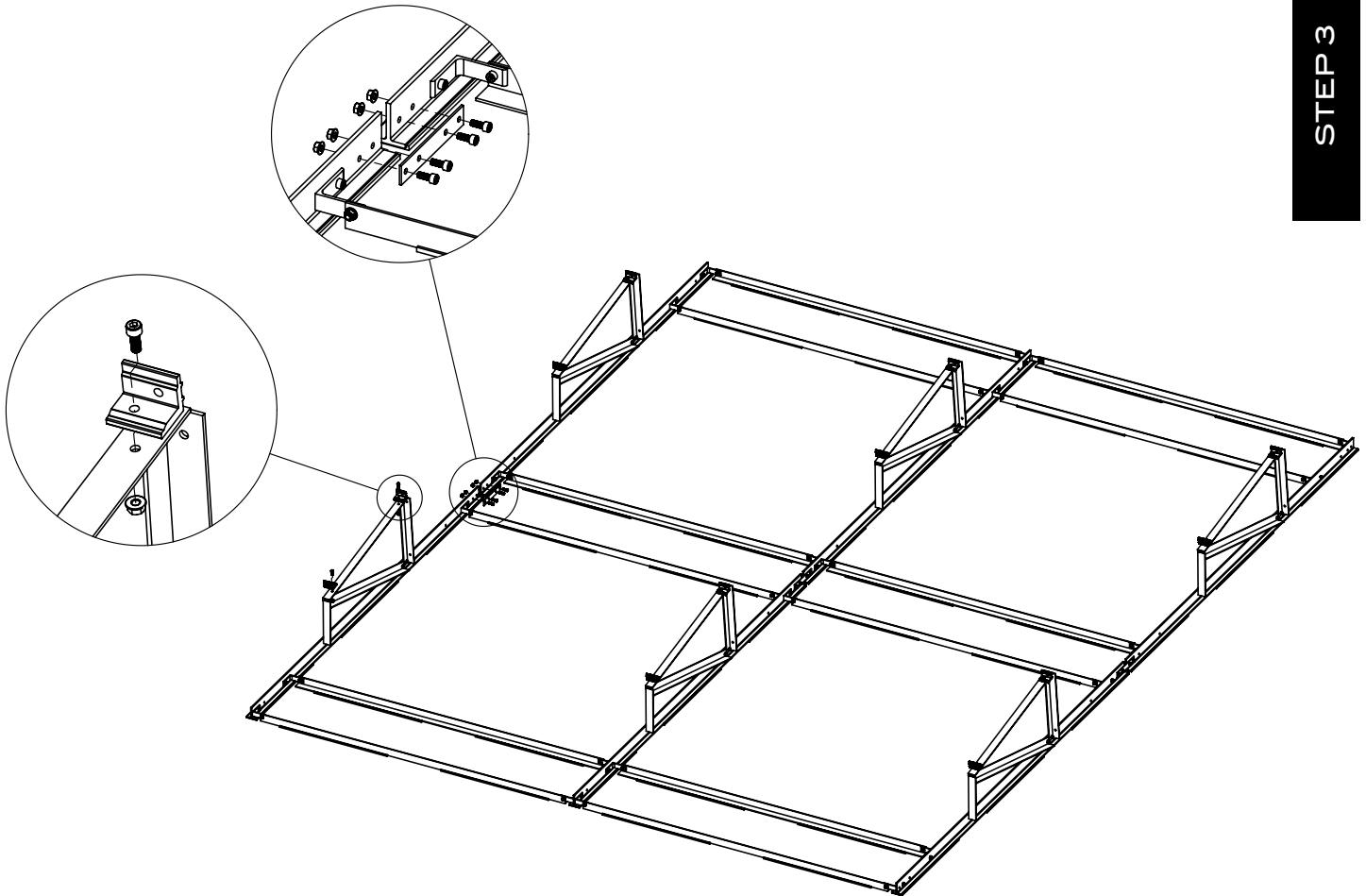
### **STEP 1: FRAME ASSEMBLY**

1. Assemble elevated frame using (1) M8X20 bolt and (1) M8 flange lock nut
2. Torque all frame bolts to 15 ft-lbs.
3. Continue assembling all frames in the same manner



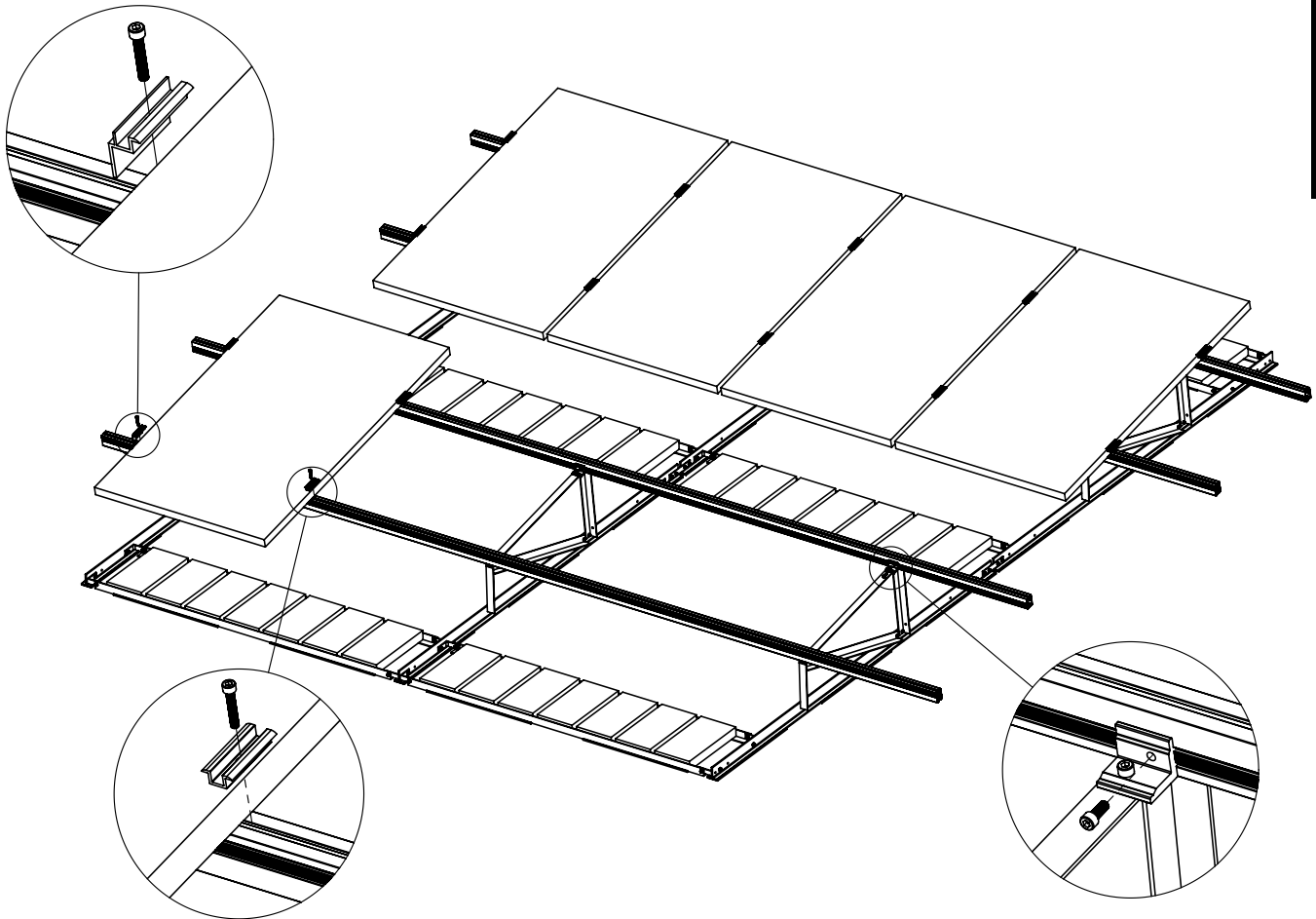
## **STEP 2: BALLAST TRAY ASSEMBLY**

1. Assemble ballast trays by connecting the L-Profile to the elevated frame using the L-Profile Connectors, M8X25 bolts, and M8 flange lock nuts
2. Torque all bolts to 15 ft-lbs.



### **STEP 3: ROW TO ROW CONNECTIONS**

1. Connect ballasted frame assemblies into rows using the T-Profile Connector with (4) M8X20 bolts and (4) M8 flange lock nuts
2. Torque all bolts to 15 ft-lbs.
3. Install ballast weight on ballast trays using the engineered layout drawings as a guide



#### **STEP 4: MOUNTING THE SOLAR MODULES**

1. Attach Cross Connectors to elevated frames using (1) M8X20 bolt and (1) M8 flange lock nut
2. Attach rails to Cross Connectors using M8X20 bolts
3. Attach solar modules to rails using M8 bolts, Sliding Blocks, Mid Clamps, and End Clamps
4. Torque all connections to 15 ft-lbs.